
E N G I N E E R I N G
M E M O R A N D U M



DATE: February 26, 2009
TO: Distributors/dealers
FROM: Don Timme
RE: New Beckett Burner
CC:

We will be receiving the new Beckett Burners in March or April. The new burners incorporate a redesigned DC Controller and a Cleancut fuel pump.

The following are a few of the major features of the redesign:

- Welded Relay Protection
- Valve "ON" Delay will be 5 seconds
- Motor "OFF" Delay will be 2 minutes
- 15 second lock-out time (Same as on prior controls)
- Fuel pump has less moving parts than previous pump so it will more dependable
- Slightly cleaner start-up and shutdown
- Frame solenoid not required

The old burners will be upgradeable to the Cleancut fuel pump (Crafcro P/n 41892) as long as the DC Controller is also replaced. The DC Controllers can be replaced with minor wiring changes. The part number for the DC Controller will not change because it is directly interchangeable.

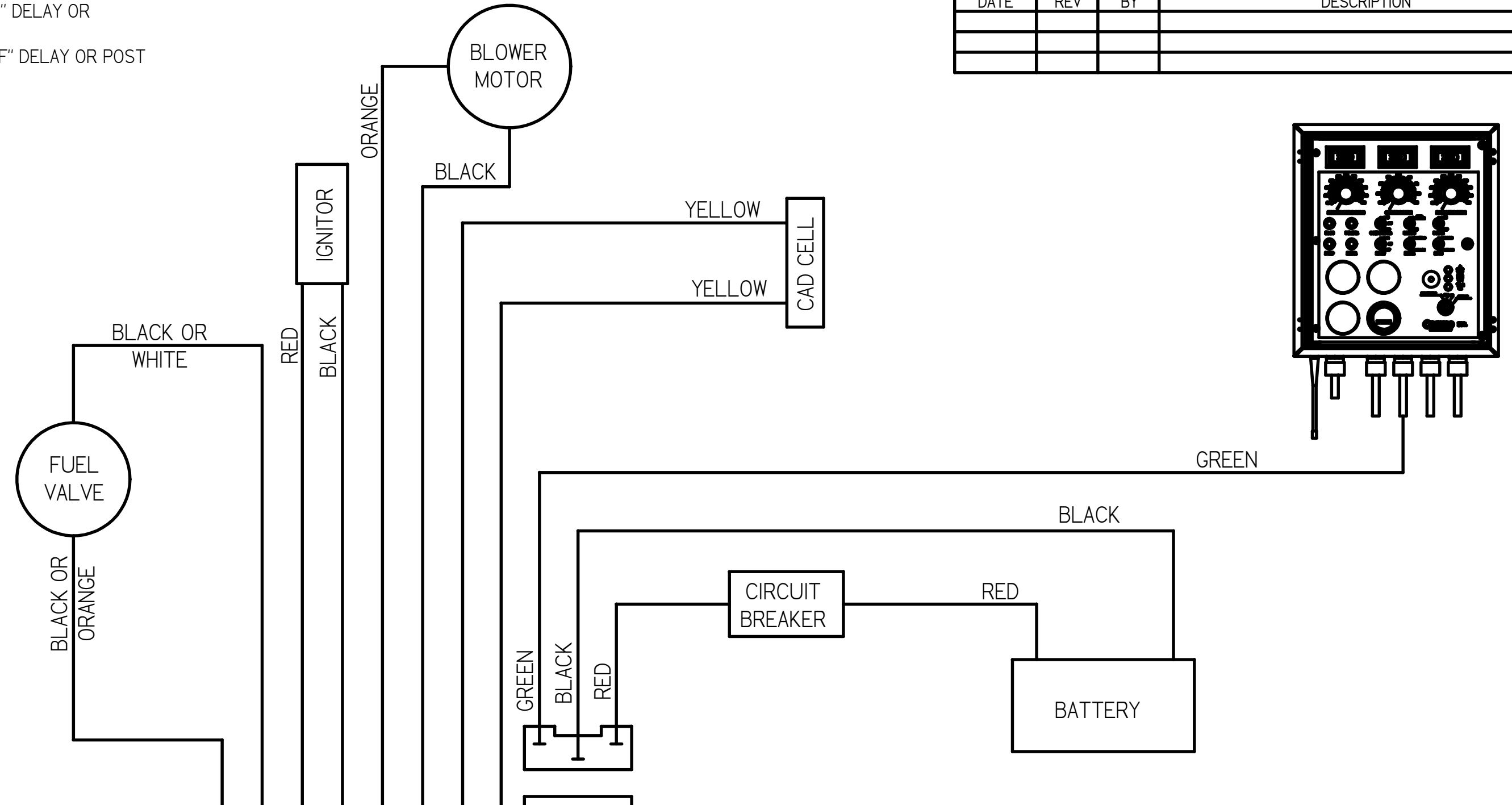
The DC Controller can be installed on existing burners. This will also add the pre and post purge to the existing burners.

See attached burner schematic.

NOTES:

- 1. 5 SECOND "ON" DELAY OR PRE-PURGE
- 2. 2 MINUTE "OFF" DELAY OR POST PURGE

REVISIONS			
DATE	REV	BY	DESCRIPTION



PURPLE	BLACK	BLUE	BLACK	ORANGE	BLACK	YELLOW	YELLOW	WHITE	BLACK	RED	
ALARM	VALVE	GND (VLV)	IGNITOR	GND (IGN)	MOTOR	GND (MTR)	CAD CELL	CAD CELL	ENABLE	GND (MAIN)	POWER

THIS DOCUMENT CONTAINS INFORMATION PROPRIETARY TO CRAFTCO INC. AND SHALL NOT BE USED FOR ENGINEERING, DESIGN, PROCUREMENT, OR MANUFACTURE IN WHOLE OR IN PART WITHOUT CONSENT OF CRAFTCO INC.

TOLERANCES:
(UNLESS OTHERWISE SPECIFIED)
.X + .06
.XX + .03
.XXX + .015
ANGLES + 1/2

DRAWN BY: dlt
DATE: 1/26/2009

MATERIAL STOCK #



TITLE
BURNER SCHEMATIC
7556 DC CONTROLLER

SIZE: B SCALE: 1" = 1" DRAWING NO.: 41935U REV: U

WT. DO NOT SCALE DRAWING SHEET NO. 1 OF 1