

## ENGINEERING MEMORANDUM

---

DATE: December 13, 2007

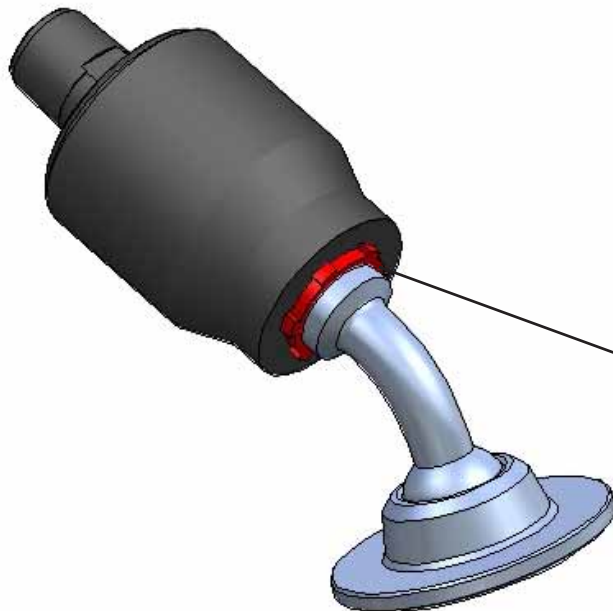
TO: All Distributors

FROM: Don Timme

RE: Drip stopper

CC: Mark Manning

We have had some complaints about the duckbills dripping while using the drip stopper. To solve this problem install a  $\frac{3}{4}$ " conduit nut (Crafco P/N 50435) on the sealing tip before installing it in the drip stopper. This will prevent the sealing tip from pushing on the end of the duckbill and keeping it from fully closing.



Install 50435 Conduit Nut here before installing sealing tip into drip stopper